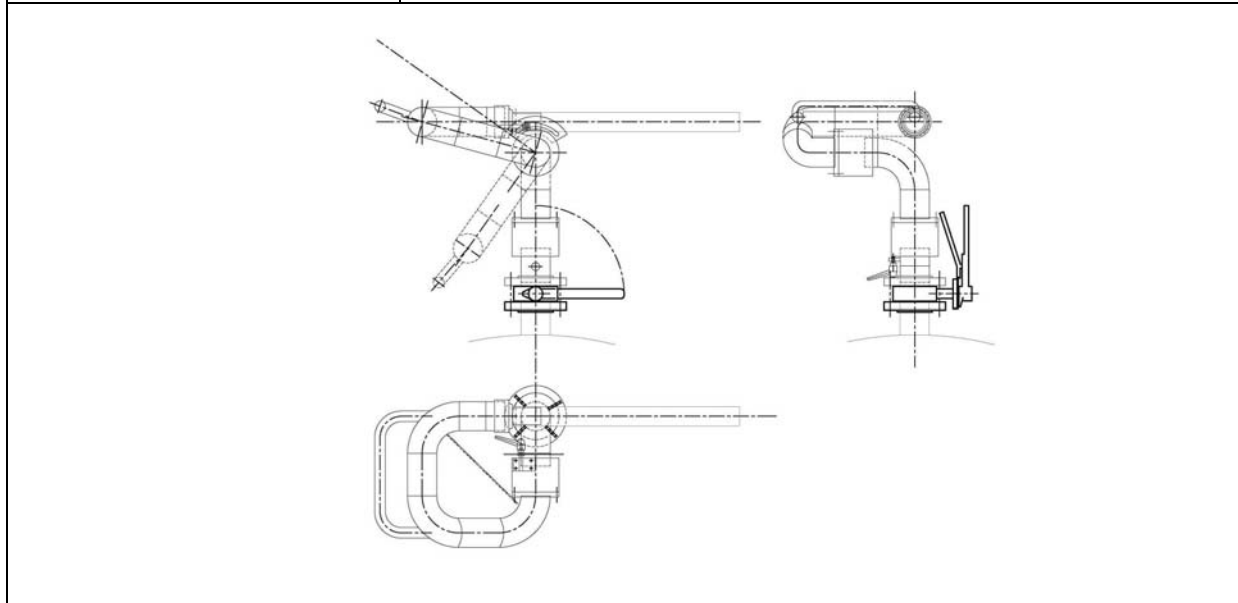
 <b>CARROZZERIA</b> <b>CHINETTI s.r.l</b> <b>ITALY</b>	OGGETTO		SUBJECT	
	MONITORE MANUALE POLVERE		POWDER MANUAL MONITOR	
	<b>MCM3 / P</b>			
	DOC.	M - 002	DATE	07.03.2005

MODELLO /MODEL	<i>MCM3 / P</i>
SUPPLIER	<i>CHINETTI</i>



**TECHNICAL SPECIFICATIONS**

Service	Powder
Branch pipe	Single
Powder output	2'000 kg/min
Nominal Pressure	From 8 to 15 bar
Powder throw	45 m
Horizontal sweep	360° continuous & reversible
Vertical tilt	From -15° to +70°
Direction controls	Manual with lever
Locking	Self locking at all positions

**DIMENSIONS**

Length x width x height (approx)	(1200 x 600 x 640) mm
Dry weight	60 kg
Bride alimentation	Ø 3''
Discharge valve	Ø 3'' butterfly – manual control

**MATERIALS**

Body	Stainless Steel
Branch pipe	Stainless Steel
Bearings	Bronze
Gaskets	Synthetic rubber VITON

Componente	<b>MONITORE MANUALE POLVERE</b>	Date	Sheet
Item	<b>MANUAL POWDER MONITOR</b>	07/03/05	1 of 1